



QUARTER-TURN VIBRATION RESISTANT 18 MM

This vibration resistant quarter-turn latch has integrated padlock loop. When a padlock is placed in the loop, the insert is blocked from access. The latch consists of your choice of housing, nut, insert, washer, screw and cam.

Classified as IP65 and waterproof according to NEMA 4 by using an O-ring on the insert and a flat gasket on the housing.

The latch clicks to open and closed positions with good tactile feedback. Vibration resistant according to DIN EN 61373.

The latch is delivered un-assembled, pre-assembled with enclosed cam or fully assembled.



MATERIAL

Earthing nut: Zinc die cast, zinc plated

Housing: Zinc die cast, chrome plated or black texture powder coated

Insert: Zinc die cast, chrome plated or black texture powder coated

Cam, screw and washer: Steel, zinc plated

Standard nut: Zinc die cast, zinc plated

RELATED PRODUCTS

Cams: 2-481, 2-491

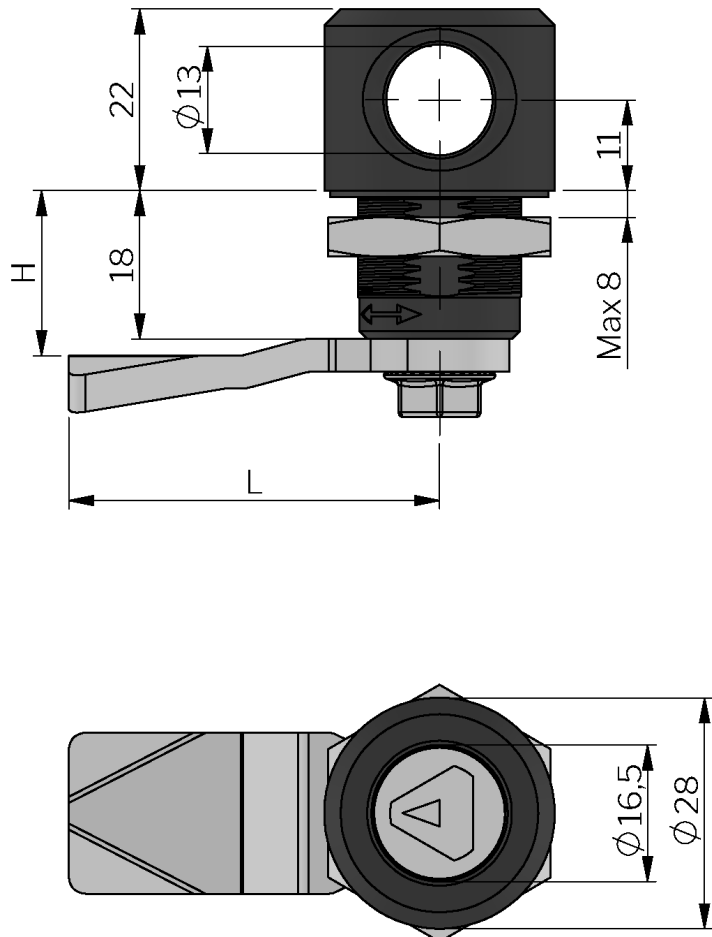
Keys: 2-370

Use the Index Code at industrilas.com

TECHNICAL INFORMATION

Cutout: COMBI

Standards: IP65, NEMA 4, DIN EN 61373



Make your selections in each column to create your article number (AAAA-BCCDEF-HLLL)

AAAA Housing		B Nut	CC Insert	D Surface - insert	E Assembly	F Cam	HLLL	H/L in mm
2232	Zinc, chrome plated	0 SN	01 Square 6	2 Chrome	0 IP54 - not assembled	0 Steel	0000	No cam
2236	Zinc, black powder coated	1 EN	03 Square 7	6 Black	1 IP65 - not assembled		0445	4 / 45
			05 Square 8				0645	6 / 45
			07 Square 8 / slotted				0845	8 / 45
			08 Square 8 / M6				1045	10 / 45
			11 Square 8 / recessed				1245	12 / 45
			14 Triangle 7				1445	14 / 45
			15 Triangle 8				1645	16 / 45
			16 Triangle 10				1845	18 / 45
			17 Triangle 10 / M5				2045	20 / 45
			18 Triangle 10 / M6				2245	22 / 45
			19 Triangle 10 / SEN				2445	24 / 45
			21 Triangle 10 - radius ES3				2645	26 / 45
			22 Double Bit 3				2845	28 / 45
			24 Double Bit 5				3045	30 / 45
			26 Slotted				3245	32 / 45
			28 Slotted with arrow				3445	34 / 45
			29 Slotted recessed				3645	36 / 45
			31 Hexagon 8,5				3845	38 / 45
			32 Hexagon 11				4045	40 / 45
			34 Recessed hexagon 8				4245	42 / 45
35 Recessed hexagon 10	4445	44 / 45						
36 Recessed hex 8 / 3 mm pin	4645	46 / 45						
37 Solid plug	4845	48 / 45						
39 Triangle 10 - radius	5045	50 / 45						

SN = Standard nut. EN = Earthing nut.

